



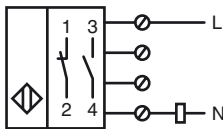
Model Number

CJ40-FP-W-P1

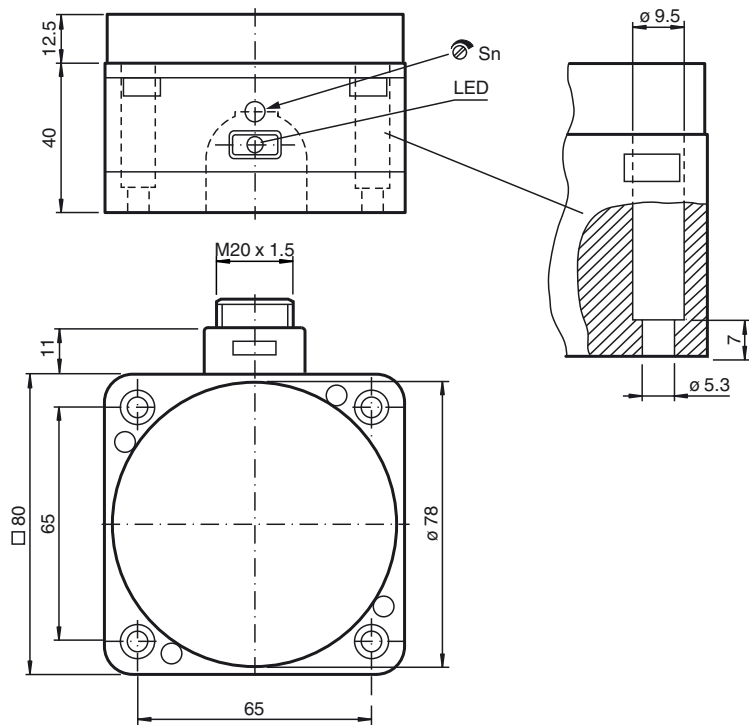
Features

- 40 mm non-flush
- 2-wire AC
- The switching distance can be set over a wide range with the potentiometer

Connection



Dimensions

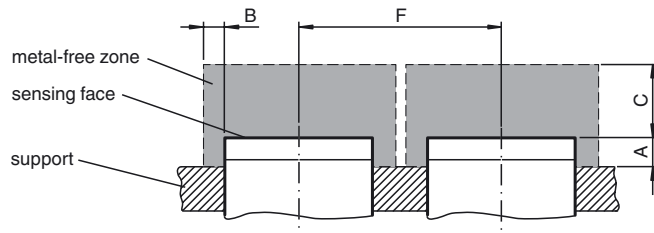


Technical Data

General specifications			
Switching element function		AC	NO/NC
Rated operating distance	s_n	40 mm	
Installation		non-flush	
Output polarity		AC	
Assured operating distance	s_a	0 ... 32.4 mm	
Nominal ratings			
Installation conditions			
A		30 mm	
B		40 mm	
C		80 mm	
F		120 mm	
Operating voltage	U_B	20 ... 250 V AC ¹⁾	
Switching frequency	f	0 ... 10 Hz	
Reverse polarity protection		reverse polarity tolerant	
Voltage drop	U_d	≤ 5 V AC	
Momentary current (20 ms, 0.1 Hz)		0 ... 4000 mA	
Operating current	I_L	10 ... 500 mA	
Off-state current	I_r	0 ... 2.5 mA typ.	
Switching state indication		LED, red	
Indicators/operating means			
Potentiometer		sensitivity adjustment	
Ambient conditions			
Ambient temperature		-25 ... 70 °C (-13 ... 158 °F)	
Mechanical specifications			
Connection type		screw terminals	
Core cross-section		up to 2.5 mm ²	
Housing material		PBT/POM	
Sensing face		PBT/POM	
Housing base		PBT	
Protection degree		IP65	
Note		¹⁾ In the temperature range below 0 °C, permissible operating voltage U_B 80...253 V Safety fuse ≤ 1.5 A (quick-blow) according to IEC 60127-2 Sheet 1 Recommendation: after a short circuit, check that the device is functioning correctly.	
Compliance with standards and directives			
Standard conformity			
Standards		EN 60947-5-2:2007 IEC 60947-5-2:2007	
Approvals and certificates			
UL approval		cULus Listed, General Purpose	
CSA approval		cCSAus Listed, General Purpose	

Release date: 2013-04-09 12:07 Date of issue: 2013-04-09 041505_eng.xml

Installation conditions



Release date: 2013-04-09 12:07 Date of issue: 2013-04-09 041505_eng.xml