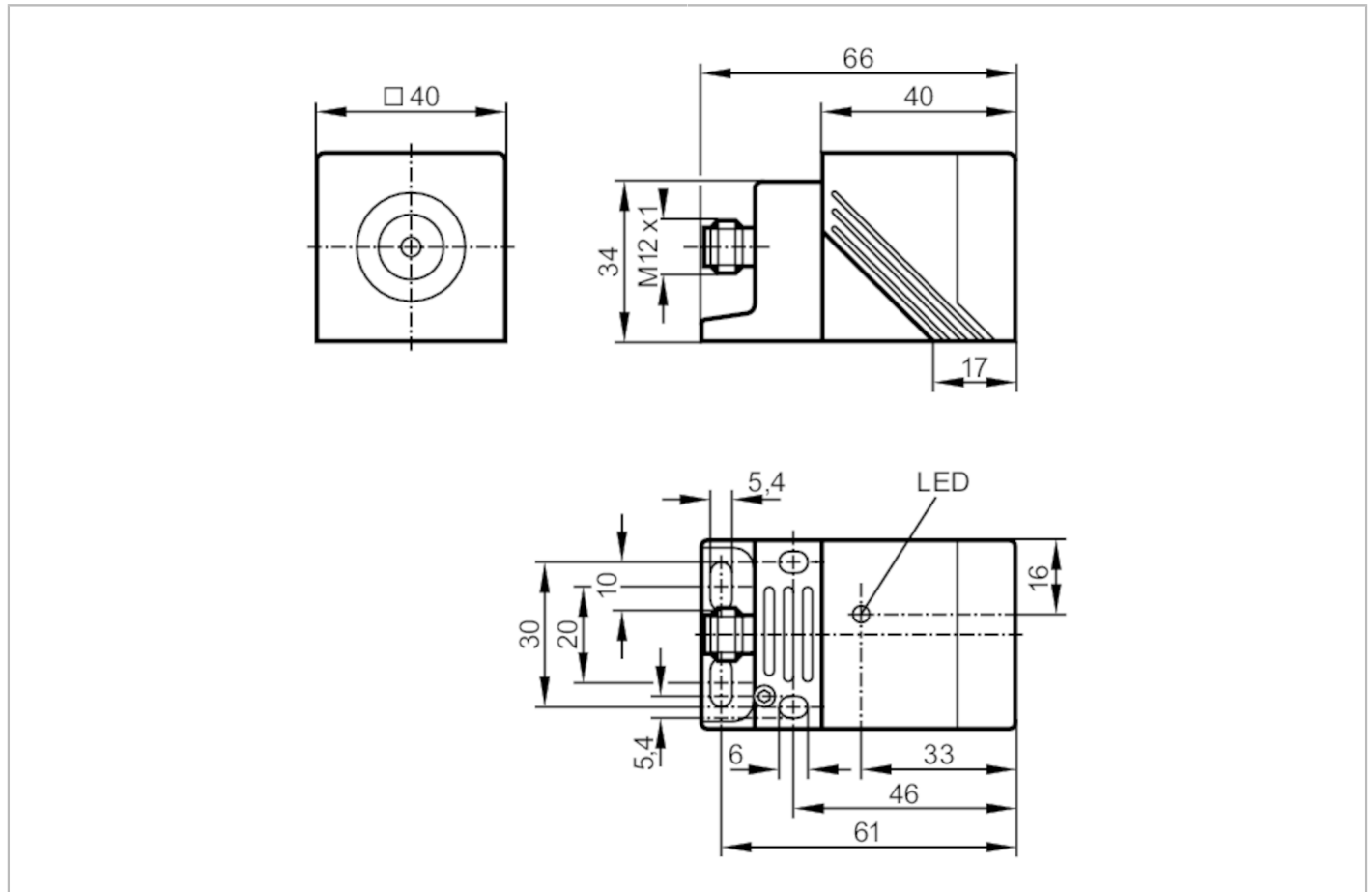


NM501A



Inductive NAMUR sensor

IMC2035-N/US/2G/1D





Product characteristics	
Electrical design	NAMUR
Output function	normally closed
Sensing range [mm]	35
Housing	rectangular
Dimensions [mm]	40 x 40 x 66
Application	
Special feature	Gold-plated contacts
Electrical data	
Connection to switching amplifiers	yes
Switching amplifiers	connection to certified intrinsically safe circuits with the max. values: U = 15 V / I = 50 mA / P = 120 mW
Nominal voltage DC [V]	8.2; (1kΩ)
Supply voltage DC [V]	7.5...30; (when used outside the hazardous area)
Current consumption [mA]	< 1; (disabled; conductive: > 2,1)
Protection class	III
Outputs	
Electrical design	NAMUR

NM501A



Inductive NAMUR sensor

IMC2035-N/US/2G/1D

Output function		normally closed
Permanent current rating of switching output DC [mA]		30; (when used outside the hazardous area)
Switching frequency DC [Hz]		100
Detection zone		
Sensing range [mm]		35
Real sensing range Sr [mm]		35 ± 10 %
Accuracy / deviations		
Correction factor		steel: 1 / stainless steel: 0.7 / brass: 0.5 / aluminium: 0.4 / copper: 0.3
Hysteresis [% of Sr]		1...15
Switch point drift [% of Sr]		-10...10
Operating conditions		
Ambient temperature [°C]		-20...70
Protection		IP 67
Tests / approvals		
Approval		BVS 04 ATEX E 091 X; IECEx BVS 06.0003
ATEX marking		 II 2G Ex ia IIB T6 Gb
		 II 1D Ex ia IIIC T 90°C Da
EMC		EN 60947-5-6
Shock/vibration resistance		30 g (11 ms) / 10-55 Hz (1 mm)
MTTF [years]		2935
Safety classification		
Max. internal capacitance [nF]		220
Max. internal inductance [μH]		710
Mechanical data		
Weight [g]		189
Housing		rectangular
Mounting		non-flush mountable
Dimensions [mm]		40 x 40 x 66
Materials		housing: PPE; sensing face: PPE orange; end cap: PPS; mounting adapter: PPS black; screw: steel galvanised
Displays / operating elements		
Display	switching status	1 x LED, yellow
Accessories		
Items supplied		Mounting bracket: 1 Allen key: 1
Remarks		
Remarks		5 positions of the active zone possible
Pack quantity		1 pcs.

NM501A

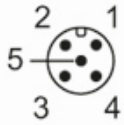


Inductive NAMUR sensor

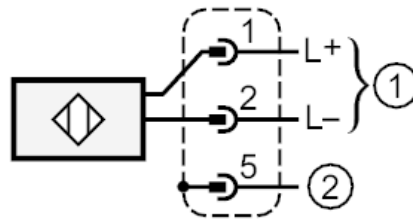
IMC2035-N/US/2G/1D

Electrical connection - plug

Connector: 1 x M12; coding: A; Locking: brass, white bronze coated; Contacts: gold-plated



Connection



- 1 = connection to NAMUR amplifiers
- 2 = potential equalisation of plug housing