

Honeywell

**TERMINAL BLOCK-
ENCLOSED**

CATALOGUE LISTING
18PA SERIES
CHART I.

| CONDUIT ENTRY | REL. No. | CH'D BY | ISSUE | CATALOGUE LISTING |
|-------------------|-----------|---------|-------|-------------------|
| 20 MM. TO BS 4568 | CN-20736W | R.M. | 3 | 18PAI-4C |
| PG II | CN-20736W | R.M. | 3 | 18PAI-4PGII |
| PG 13,5 | CN-20736W | R.M. | 3 | 18PAI-4PG |

18PA SERIES
CHART I.

REPLACES

M

DRAWING NUMBER

3

ISSUE

RELEASE No. MSEN32-C

REVISIONS

| | | |
|---|-------|--|
| 2 | 05/78 | |
| 1 | 05/78 | |
| 3 | 05/78 | |
| 3 | 05/78 | |
| 2 | 05/78 | |

CHECK

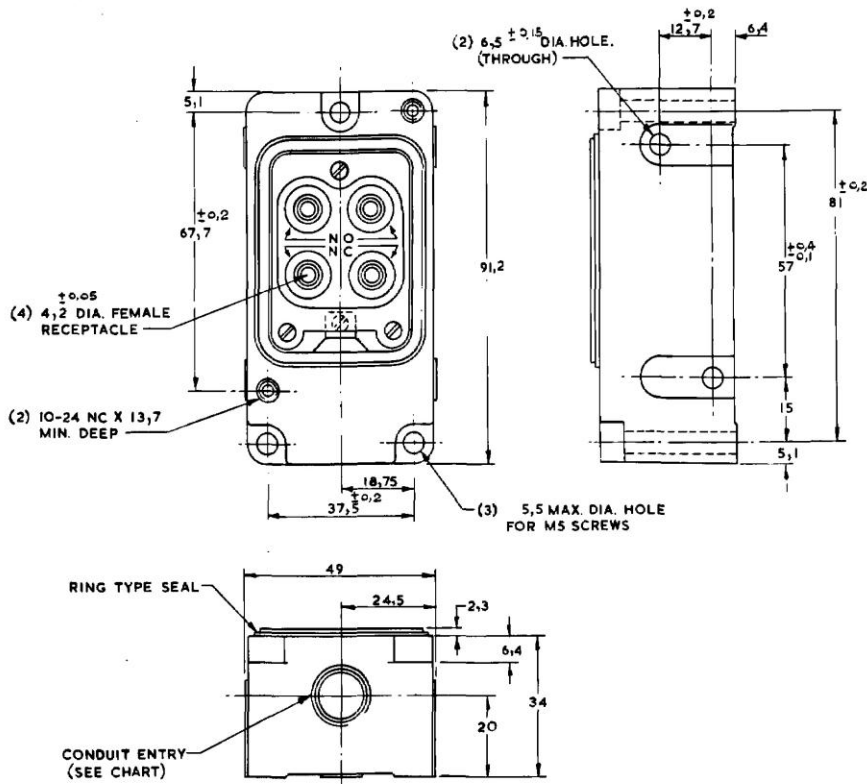
22

J.M.

DRAWN

3

R.M.



NOTE:-
1- ALUMINIUM HOUSING FINISHED IN GREY PAINT
2- TERMINAL BLOCK IS REMOVABLE FOR WIRING
(4) 4 MM. TERMINAL SCREWS AND WASHERS.

THE COPYRIGHT OF THIS DRAWING IS THE PROPERTY OF HONEYWELL LTD. THE DRAWING IS SUPPLIED IN CONFIDENCE AND MUST NOT BE USED FOR ANY PURPOSE OTHER THAN THAT FOR WHICH IT IS SUPPLIED.

| CHARACTERISTICS | ELECTRICAL DATA | | SCALE 1:1 DIMENSIONS ARE IN MILLIMETRES TOLERANCES UNLESS OTHERWISE STATED ±0,4 ANGULAR |
|---------------------|---------------------|----------------|--|
| | CONTACT ARRANGEMENT | BREAK DISTANCE | |
| OPERATING FORCE | | | |
| DIFFERENTIAL FORCE | | | |
| RELEASE FORCE | | | |
| PRETRAVEL | | | |
| DIFFERENTIAL TRAVEL | | | |
| OVERTRAVEL | | | |
| FREE POSITION | | | |

Mouser Electronics

Authorized Distributor

Click to View Pricing, Inventory, Delivery & Lifecycle Information:

[Honeywell:](#)

[18PA1-4PG](#)