



- Forced coupled diaphragm system
- Compact body from brass or stainless steel
- Push-over coil
- Anti-waterhammer, low noise
- Diaphragm materials NBR, EPDM, FPM

Type 6213 can be combined with...



Type 2508

Cable plug

Type 1078

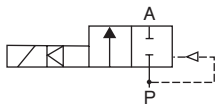
Timer unit

Type 8600

Dosing control

The Type 6213 is a 2/2-way normally closed solenoid valve with a forced coupled diaphragm system. It switches from 0 bar and can be used universally for fluids. For complete opening, a differential pressure of at least 0.1 bar is necessary.

Circuit function A



Servo-assisted 2/2-way valve; normally closed, with 2-way pilot control

Technical data	
Orifice	DN 10 - 40
Body material	Brass, stainless steel 1.4404
Inner part of valve	Brass body Stainless steel body
Seal material	NBR, FPM, EPDM
Media	NBR FPM EPDM
	Neutral fluids, water, hydraulic oil, oil without additives Per-solutions, hot oils with additives Oil and fat-free fluids
Ambient temperature	Max. +55 °C
Media temperature	NBR FPM EPDM
	-10 to +80°C 0 to +90°C -30 to +120°C
Voltage tolerance	±10%
Duty cycle	100% continuous rating
Electrical connection	Tag connector acc. to DIN EN 175301-803 Form A (previously DIN 43650) for cable plug type 2508 (see Accessories)
Protection class	IP 65 with cable plug
Installation	As required, preferably with actuator upright
Response times	0.1 to 4 seconds (depending on orifice and differential pressure)

Technical data

Orifice [mm]	Port connection Ø [mm]	Kv value water [m³/h]	Pressure range [bar]	Power consumption			Weight	
				Inrush AC [VA]	Hold AC [VA/W]	DC ¹⁾ [W]	brass [kg]	stainless steel [kg]
10	G 1/4	1.9	0 - 10	34	14/8	10	0.4	0.4
	G 3/8							
	G 1/2							
13	G 1/2	3.6	0 - 10	36	14/8	10	0.45	0.55
	G 3/4							
20	G 3/4	8.3	0 - 10	38	14/8	10	1.0	1.1
	G 1							
25	G 1	11.0	0 - 10	160	38/18	72/4 ¹⁾	1.7	-
	G 1 1/4							
40	G 1 1/2	30.0	0 - 10	202	38/18	72/4 ¹⁾	3.5	-
	G 2							

1) For DN 25 and DN 40 with 24 V/UC, a cable plug with an integrated high-power electronics is provided as part of the delivery.

Flow rate: Kv value water (m³/h)

Measured at +20°C, 1 bar pressure at valve inlet and free outlet

Pressure values (bar)

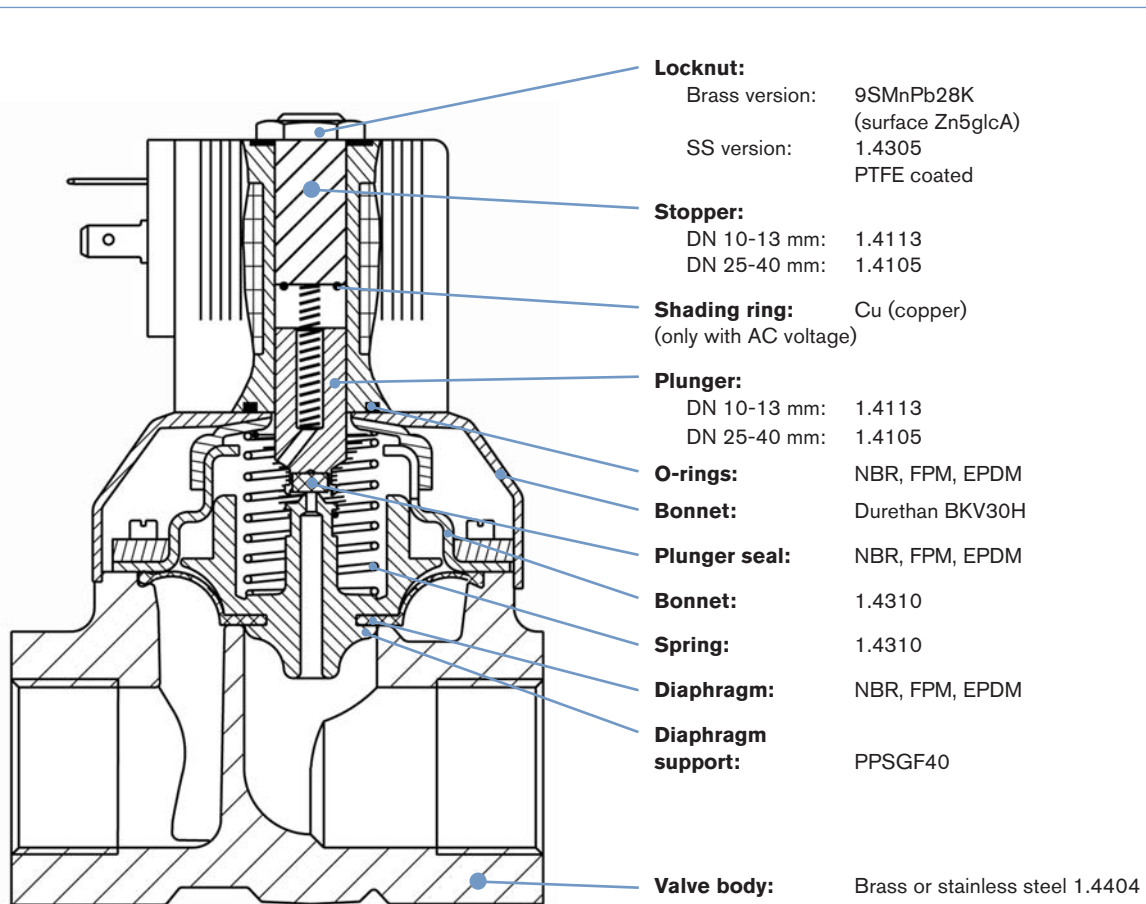
Gauge pressures with respect to the prevailing atmospheric pressure

Response times (ms)

Measured at valve outlet at 6 bar and +20°C

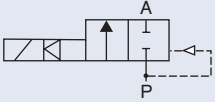
- Opening pressure build-up 0 to 90%
- Closing pressure decay 100 to 10%

Materials



Ordering chart for valves (other versions on request)

Valves with brass or stainless steel body; without cable plug (see footnote resp. Accessories)

Circuit function	Orifice [mm]	Port connection	Kv value water [m ³ /h]	Pressure range [bar]	Voltage/frequency [V/Hz]	Brass body			Stainless steel body			
						Item no. brass body NBR diaphragm	Item no. brass body FPM diaphragm	Item no. brass body EPDM diaphragm	Item no. stainless steel body FPM diaphragm			
 <p>Servo-assisted 2/2-way valve; normally closed, with 2-way pilot control</p>	10	G 1/4	1.9	0-10	024/DC	139 100	139 104	139 096	141 187			
					024/50	139 101	139 105	139 097	141 188			
					230/50	139 103	139 107	139 099	141 190			
		G 3/8	1.9	0-10	024/DC	125 653	126 264	135 217	141 191			
					024/50	125 654	126 265	135 218	141 192			
					230/50	125 656	126 267	135 220	141 194			
		G 1/2	1.9	0-10	024/DC	126 260	126 268	135 221	141 195			
					024/50	126 261	126 269	135 222	141 196			
					230/50	126 263	126 271	135 224	141 198			
	13	G 1/2	3.6	0-10	024/DC	125 657	126 276	135 226	141 215			
					024/50	125 658	126 277	135 227	141 216			
					042/50	131 915	–	–	–			
					230/50	125 660	126 279	135 229	141 218			
					G 3/4	3.6	0-10	024/DC	126 272	126 280	135 230	141 219
								024/50	126 273	126 281	135 231	141 220
		230/50	126 275	126 283				135 233	141 222			
		20	G 3/4	8.3	0-10	024/DC	126 284	126 292	135 234	141 239		
						024/50	126 285	126 293	135 235	141 240		
	042/50					133 017	–	–	–			
	G 1		8.3	0-10	024/DC	126 288	126 296	135 238	141 243			
					024/50	126 289	126 297	135 239	141 244			
					230/50	126 291	126 299	135 241	141 246			
	25	G 1	11.0	0-10	024/UC ¹⁾	138 410	138 414	138 412	–			
					024/50	134 678	135 139	135 133	–			
230/50					134 680	135 141	135 135	–				
G 1 1/4		11.0	0-10	024/UC ¹⁾	138 411	138 415	138 413	–				
				024/50	134 681	135 142	135 136	–				
				230/50	134 683	135 144	135 138	–				
40	G 1 1/2	30.0	0-10	024/UC ¹⁾	138 416	138 420	138 418	–				
				024/50	134 684	135 242	135 145	–				
				230/50	134 686	135 244	135 147	–				
	G 2	30.0	0-10	024/UC ¹⁾	138 417	138 421	138 419	–				
				024/50	134 687	135 245	135 148	–				
				230/50	134 689	135 247	135 150	–				

1) For DN 25 and DN 40 with 24 V/UC, a cable plug with an integrated high-power electronics is provided as part of the delivery.

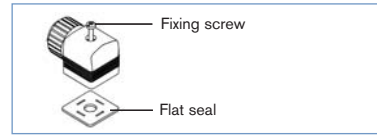
Further versions on request

- Heavy duty versions with high power coil for fluids and gases (see separate datasheet 6213 HP)
- Voltage 110 V/50 Hz, others on request

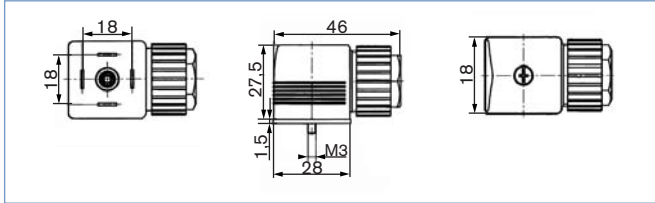
Accessories

Cable plug Type 2508 acc. DIN EN 175301-803 Form A

The delivery of a cable plug includes the flat seal and the fixing screw (galvanised and chrome-plated). For other cable plug versions acc. to DIN EN 175301-803 Form A (previously DIN 43650), see datasheet Type 2508.



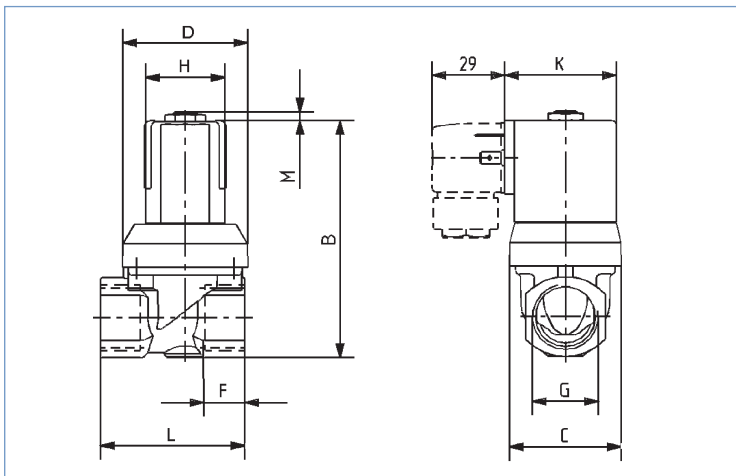
Dimensions Type 2508 [mm]



Ordering chart for the cable plug Type 2508

Circuitry	Voltage	Item no.
without circuitry	0 - 250 V	008 376
with LED	12 - 24 V	008 360
with LED and varistor	12 - 24 V	008 367
with LED and varistor	200 - 240 V	008 369
further versions, see datasheet for Type 2508		

Dimensions [mm]



G Thread DN [mm]	AC coil		DC coil			DC and AC coil			L brass	L stainless steel	M	
	G	F	B	H	K	B	H	K				C
10	G 1/4	12	82.0	32	45	82.5	40	51	37.5	50	55	3.5
	G 3/8	12										
	G 1/2	14										
13	G 1/2	14	95.5	32	45	96.0	40	51	45.0	58	65	3.5
	G 3/4	16										
20	G 3/4	16	115.5	32	45	116.0	40	51	66.0	80	100	3.5
	G 1	18										
25	G 1	18	158.5	49	53	158.5	49	53	104.5	95	-	7.0
	G 1 1/4	20				163.0			104.5			
40	G 1 1/2	22	179.5	49	53	179.5	49	53	104.5	132	-	7.0
	G 2	24				184.5			184.5			