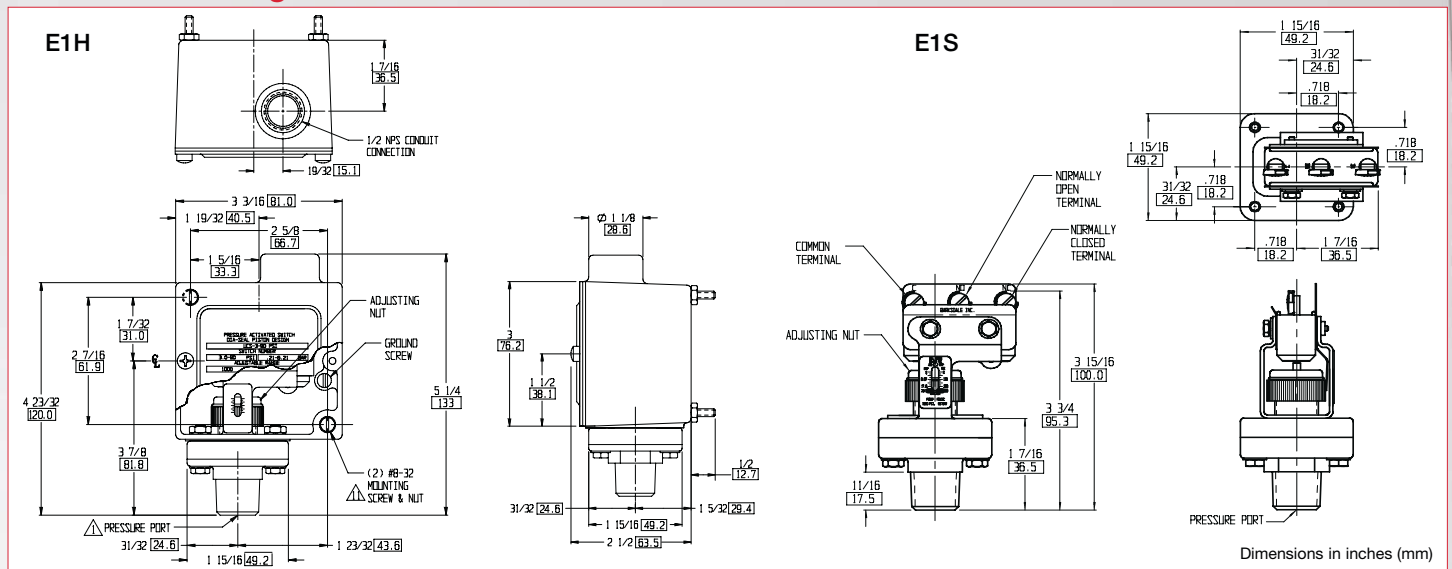


# Econ-O-Trol Switch

# E1S, E1H Series

## Technical Drawing



## Product Configurator

Example **E1H** **-H** **500** **-P6**

### Base Configuration

E1S	Stripped models
E1H	Housed models

### Limit Switch<sup>1</sup>

-B	10 amps @ 125/250/480 VAC; 2 amps @ 600 VAC; 0.05 amps @ 125 VDC; 0.03 amps @ 250 VDC
-H	10 amps @ 125/250 VAC; 3 amps @ 480 VAC (standard)
-M	10 amps @ 125/250 VAC; 3 amps @ 480 VAC; 0.5 amps @ 125 VDC; 0.25 amps @ 250 VDC
-R <sup>2</sup>	15 amps @ 125/250/480 VAC; 0.05 amps @ 125 VDC; 0.03 amps @ 250 VDC <b>ADJUSTABLE DEADBAND</b>
-G <sup>3</sup>	10 amps @ 125/250/480 VAC; 2 amps @ 600 VAC; 0.4 amps @ 125 VDC; 0.2 amps @ 250 VDC <b>MANUAL RESET</b> (Available only with housed version). Requires -RD option.
-GH	1 amp @ 125 VAC; gold contact

### Options

-E1	Plastic cover (E1S models only)
-FX	NEMA 4X enclosure (E1H models only)
-RD <sup>3</sup>	<b>Manual reset</b> (must select class G limit switch)
-Z1	Cleaned for oxygen service
-Sxxx	Factory preset (consult factory)

### O-Ring/Diaphragm Material

Blank	Buna-N
-T <sup>6</sup>	Teflon
-V	Viton® diaphragm

### Pressure Range

	Adjustable Range				Approx. Deadband <sup>4</sup> (Actuation Value) psi (bar)	Proof Pressure psi (bar)		
	Decreasing - psi (bar)		Increasing - psi (bar)					
	Min	Max	Min	Max				
<b>VAC<sup>5</sup></b>	.5" Hg	29" Hg	3.0" Hg	30" Hg	.3 - 2.5" Hg	30 psi	Fixed Deadband	
<b>15</b>	.5 (.03)	14.2 (.98)	.6 (.04)	15 (1)	.1 - 1.2 (.01 - .08)	1000 (67)		
<b>90</b>	3 (.2)	82 (5.5)	3.5 (.2)	90 (6)	.5 - 8 (.03 - .5)	1000 (67)		
<b>250</b>	10 (.7)	230 (15)	11 (.7)	250 (17)	1 - 20 (.07 - 1.3)	1000 (67)		
<b>VAC<sup>5</sup></b>	1" Hg	30" Hg	Must select class R limit switch. Consult sales drawing for deadband charts				Adjustable Deadband	
<b>15</b>	1 (.07)	15 (1)						30 psi
<b>90</b>	6 (.4)	90 (6)						1000 (67)
<b>250</b>	15 (1)	250 (17)						1000 (67)
<b>500</b>	35 (2.3)	500 (33)						1000 (67)

### NOTES:

- Consult sales drawing for specific deadband values
- To increase differential, turn small, self-locking adjusting nut counter-clockwise
- Add -LC suffix at end of -G -RD (manual reset) models for UL approval as limit controls (No UL without -LC suffix)
- Deadband values indicated when used with the "H" limit switch

- Vacuum models are provided with 1/2" NPT External, 1/8" NPT Internal "Combo" fitting only on E1S models
- Not available on vacuum models
- Not available in range 500
- BR" models have a proof pressure of 500 psi
- Plastic fittings have a proof pressure of 400 psi

### Pressure Connection

Blank	E1S version: 1/8" int & 1/2" ext NPT; E1H version: 1/4" NPT female
-P4	1/4" NPT female (available on E1S only - not available on PLS version)
-P6	1/8" int & 1/2" ext NPT (E1H models only)
-F1	Impregnated fitting (not UL or CSA approved)
-F2	Nickel plated fitting
-BR <sup>6,7,8</sup>	Brass fitting: 1/8" int & 1/2" ext NPT (for E1S models or with -P6 option) Max adjustable pressure: 250 psi
-BR <sup>6,7,8</sup>	Brass fitting: 1/4" NPT (for E1H models or with -P4 option) Max adjustable pressure: 250 psi
-P6-PLS <sup>7,9</sup>	Polysulfone 40% glass filled; 1/8" - 1/2" NPT (E1H Only). Max adjustable pressure: 250 psi.
-PLS <sup>7,9</sup>	Polysulfone 40% glass filled; 1/8" - 1/2" NPT (E1S Only). Max adjustable pressure: 250 psi.