

High Power Igniter | S7200A

The S7200A Igniter is a solid-state, high performance ignition transformer used with business and industrial oil-fired gun-type burners and gas-fired power burners.

Compared with our other products, this unit has twice the ignition energy, equivalent to the amount of a coil ignition transformer, therefore making it possible to use this transformer with burners that previously could be ignited only by using a coil ignition transformer. Compared to the S720, the high-voltage cable can be extended to 2 meters, and at that length the power does not decrease.



Specifications

Applicable burner	Oil-fired gun-type burner		Gas-fired power burner		
	Model No.	S7200A100-OHR	S7200A200-OHR	S7200A100-GHR	S7200A200-GHR
Rated power supply voltage	100 Vac 50-60 Hz		200 Vac 50-60 Hz		100 Vac 50-60 Hz
Number of electrodes	2		1		1
Recommended air speed	10 to 15 m/s		10 to 15 m/s		10 to 15 m/s
Time rating	60 min-50%*1		6 min-20%		6 min-20%
* The percentage figure is the allowable usage rate for continuous ignition. Ex.: 6 min-20% 1.2 min is the max. continuous discharge time (4.8 min rest).					
Characteristics	Half-wave				
High-voltage side connection	Bullet terminal				
Grounding method	Neutral ground		One ground wire		
Power consumption	70 VA	75 VA	55 VA	65 VA	
Weight	Approx. 650 g				
Operating voltage	-15% to +10% of rated power supply voltage				
High voltage side output voltage	Approx. 20 kV ^① **2		Approx. 16 kV ^① **2		
Recommended electrode spacing	3.5 ± 0.5 mm		2.5 ± 0.5 mm		
Operating life	100,000 operations or 10 years under standard conditions (rated power supply voltage, air speed between electrodes, room temperature, normal humidity)				
Induced lightning surge resistance	10 kV or more between wires and between wires and ground (1.2/50 μs, 100 Ω or more)				
Insulation resistance	50 MΩ or more between grounding terminal and input terminals using a 500 Vdc megger (excluding high voltage terminals)				
Dielectric strength	There must be no abnormalities with 1,800 Vac applied for 1 second between grounding terminal and input terminals (excluding high voltage terminals)				
Ambient operating temperature	-20 to +60 °C				
Ambient operating humidity	90%RH at 40 °C (no leak discharge due to condensation between the secondary terminals and the secondary terminal and ground)				
Ambient storage temperature	-20 to +60 °C				
Grounding terminal	If there is poor electrical contact between the grounding terminal and the burner main unit, high frequency noise will occur and create electrical interference in other equipment, radios, TVs, etc. Be sure to remove any paint from the point of contact on the burner so that there is a good connection.				
Recommended high voltage cable	Standards/dimensions	High-voltage AIRN (JIS3405) cable for use in vehicles or neon light wiring, 300 mm (standard) to 2,000 mm (maximum) in length. (However, if the wire is 600 mm or longer, use an insulator to raise it by at least 50 mm. Separate the cables by at least 3 cm.)			
	Pullout strength	At least 290 kPa. An AIRN cable (JIS3405) must be used to prevent the cable from being pulled out during transport or under use conditions.			
Power cord	500 ± 30 mm (plastic cabytre cable, 2 cores/VCTFK, JIS3306/0.75 mm ² , 30/0.18 diameter 4.4 × 6.8 black)				
Case material	Polycarbonate				
Case color	Black				
Mounting	Mounted on metal plate (1 mm thick or more)				
Mounting posture	Mounted such that the grounding terminal makes contact with the metal plate.				

*1. This is the value when used in an ambient temperature of 40 °C or less; it is 60 min. and 33% when used in an ambient temperature between 40 °C and 60 °C.

*2. For the rated voltage, room temperature, normal humidity and 20 pF voltage divider input capacity.

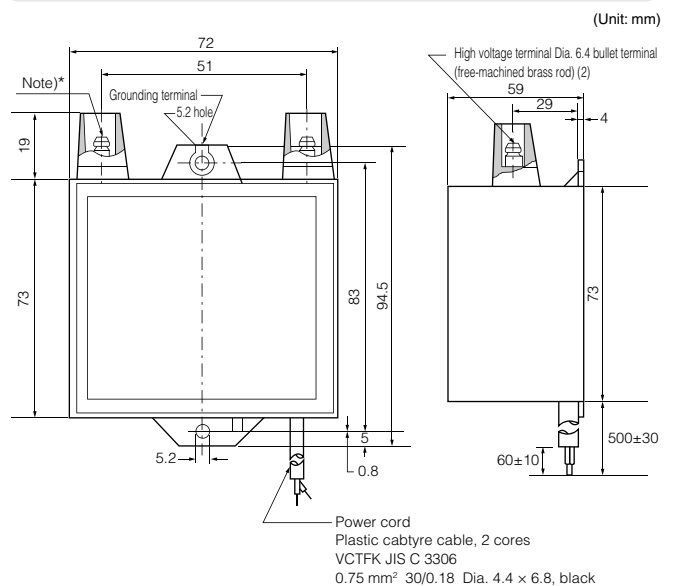
Model No. configuration

Name	Model No.
Oil-fired gun-type burner	S7200A100-OHR
	S7200A200-OHR
Gas-fired power burner	S7200A100-GHR
	S7200A200-GHR

Optional parts (sold separately)

Name	Cable length	Number of shur plugs	Model No.
High-voltage cable (10 cables per set)	300 mm	1	YS7200A300-S1
		2	YS7200A300-S2
	500 mm	1	YS7200A500-S1
		2	YS7200A500-S2
	1,000 mm	1	YS7200A1000-S1
		2	YS7200A1000-S2
2,000 mm	1	YS7200A2000-S1	
	2	YS7200A2000-S2	

External dimensions



Note: Models with the number S7200A□□□-G□□ for gas-fired power burners have only one terminal output and therefore there is no bullet terminal on this side.