

Instrument valve

Model : A080

Spec. sheet no. AD00-08

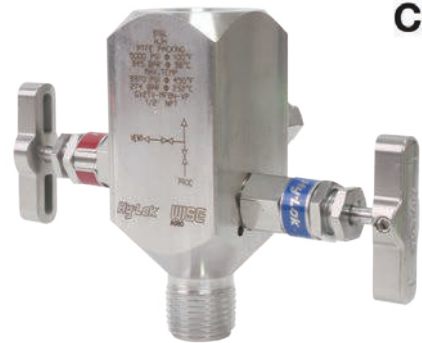
Service intended

It is used for switching flow between one common connection and the other two connections. It can be used with pressure gauge and pressure transmitter.

Standard features

Max. static pressure up to 41 MPa
 Max. working temperature : 232 °C
 Packing : PTFE (-54 ~ 232 °C)
 Graphite : -54 ~ 648 °C

※ This product's Max. working temperature could be varied depending on its working pressure and temperature.



CRN

Main order

Ordering information

1. Base model

A080 Instrument valve

2. Valve type

- S** Isolation valve
- V** 2-way manifold valve mount type
- W** 2 way manifold valve

3. Gauge connection type

- W** NPT (F)
- M** NPT (M)
- Z** Other

4. Gauge connection size

- 2** 1/4"
- 4** 1/2"
- 5** 3/4"
- 9** Other

5. Process connection type

- W** NPT (F)
- M** NPT (M)
- Z** Other

6. Process connection size

- 2** 1/4"
- 4** 1/2"
- 5** 3/4"
- 9** Other

7. Packing material

- T** PTFE
- G** Graphite
- Z** Other

8. Bleed and plug

- A** None
- B** Bleed
- C** Bleed with plug
- 9** Other

9. Bleed and plug size

- 1** 1/4" NPT (F)
- 2** 1/2" NPT (F)
- 3** No bleed
- Z** Other

10. Material

- | | |
|----------------------|------------------|
| B Hastelloy-C | J Monel |
| H 316SS | Z Inconel |
| L 316L SS | T Other |

11. Unused character

- X** All T bar

12. Unused character

- 1** None

Sample ordering code

1	2	3	4	5	6	7	8	9	10	11	12
A080	S	W	2	W	2	T	A	1	B	X	1

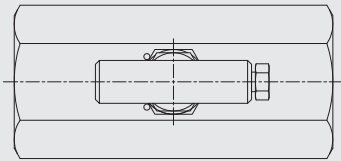
© WISE Control Inc. All rights reserved. ALL PRODUCT, PRODUCT SPECIFICATIONS AND DATA ARE SUBJECT TO CHANGE WITHOUT NOTICE TO IMPROVE RELIABILITY, FUNCTION OR DESIGN OR OTHERWISE.



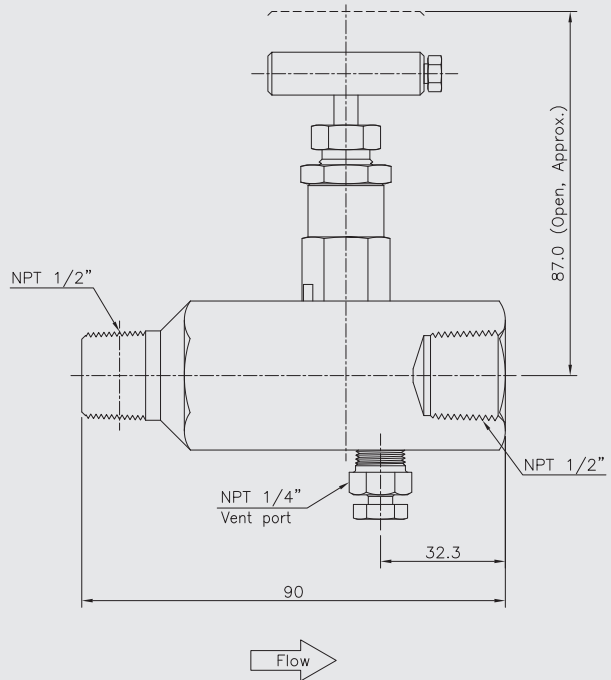
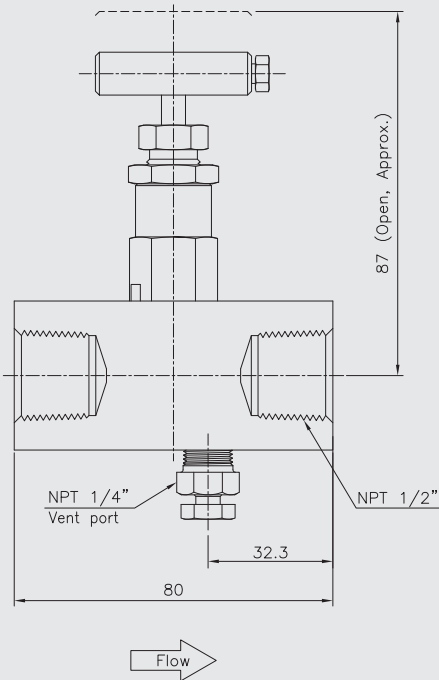
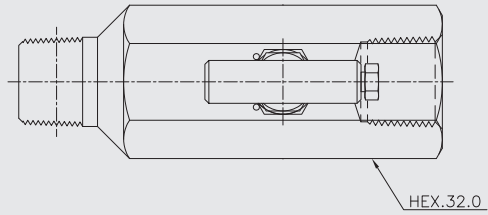
I A080SW_01

A080 : Type of mounting (1/2)

Code S

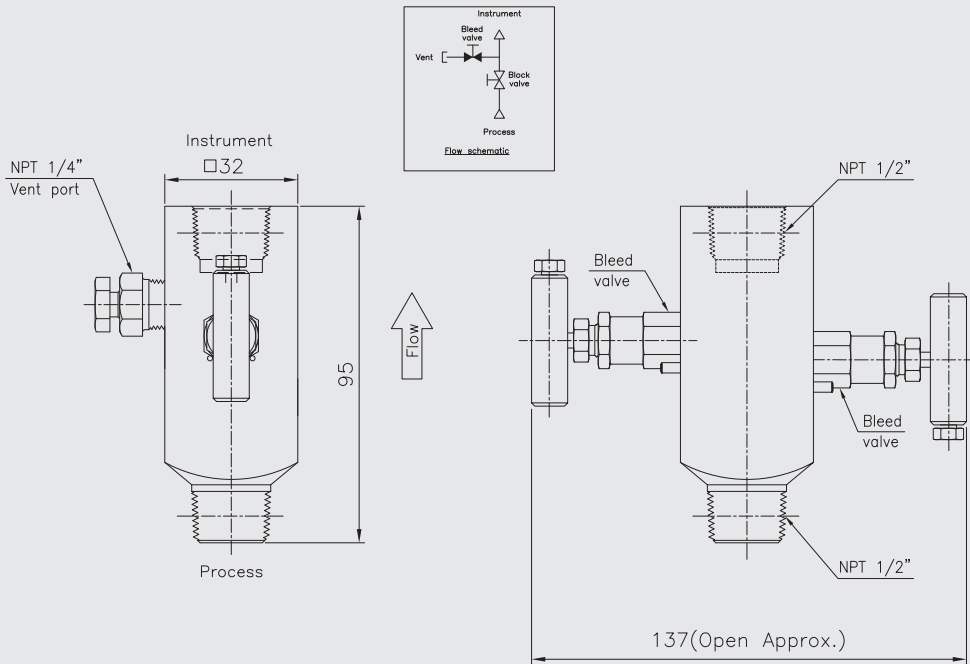


Code S

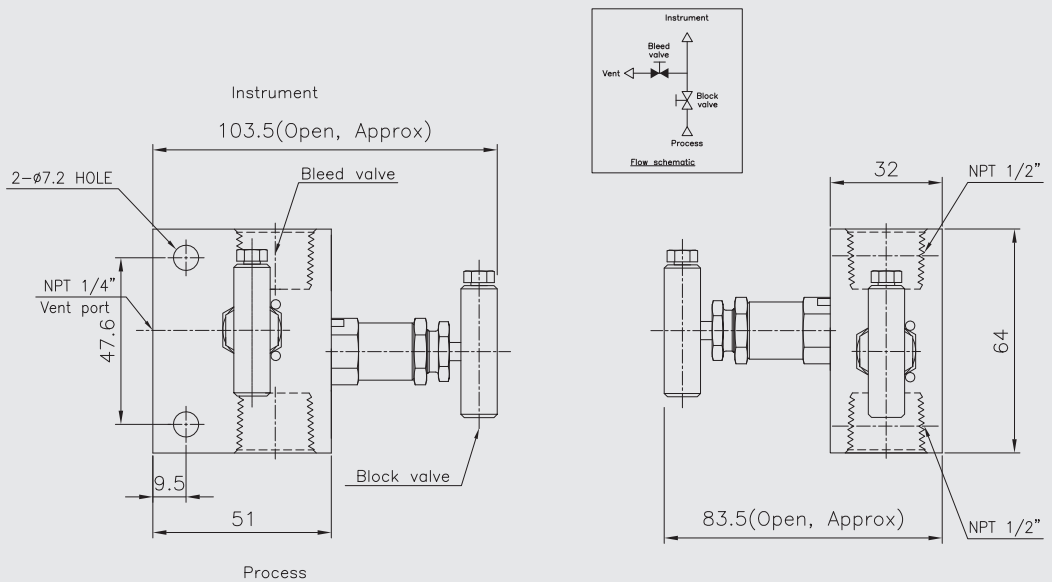


A080 : Type of mounting (2/2)

Code W



Code V



A large empty rectangular box with a thin black border, intended for writing a memo.