

Gas Pressure Switch(Variable)

(SGPS 3V) (SGPS 10V) (SGPS 50V) (SGPS 150V) (SGPS 500V)

PRODUCT SPECIFICATION SHEET



FEATURES

- The gas pressure switch is used detect the gas. When the gas pressure changes, the diaphragm of the pressure receiving part detect it and operate the switch on/off control.
- This switch is widely used detect the upper limit of lower limit pressure of gas to be supplied to a gas burner.
- This switch has a various imitation of pressure setup.

CONTENTS

Application	1
Features	1
Specifications	1~2
Dimensions	2

APPLICATION

This gas pressure switch is designed to monitor gas pressure and activate switch contacts accordingly.
This pressure switch can be used autonomously or integrated into a multifunctional gas control.

SPECIFICATIONS

Type	: Adjustable type	
Material	: Body	Al DC
	: Diaphragm	NBR
	: Housing	BRASS
	: Switch part	POLYCARBONATE
Ambient temperature	: -15 ~ 60℃	
Electrical rating	: 250VAC 5A(Resistive load)	
Control fluid	: LNG, LPG	

SPECIFICATIONS

Model		SGPS 3V	SGPS 10V	SGPS 50V	SGPS 150V	SGPS 500V
Max. Operating pressure		500 mbar				1 bar
Max. Sustained pressure		500 mbar				1 bar
Stand pressure setting range	Factory set point	0.4~3.0 mbar	2.0~10 mbar	2.5~50 mbar	30~150 mbar	100 ~ 500 mbar
	Adjustable tolerance	± 15%				
	Differential	± 15%				
Electrical connection		Male fast-on 6.3 X 0.8mm				
Pressure connection		PF 1/4"				

DIMENSIONS

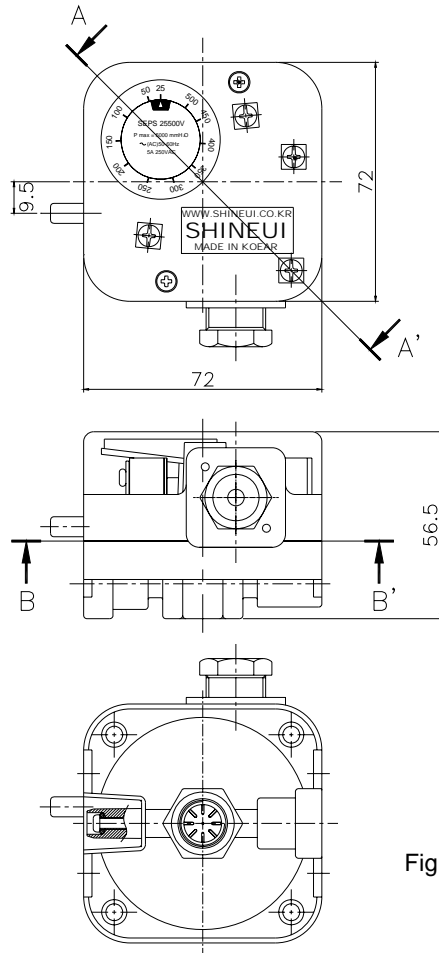


Fig 1. Gas pressure switch(V)

The specifications and dimensions can be changed without warning



Product Service

Attestation of Conformity

No. N8 09 09 49624 012

Holder of Certificate: Shineui Electronics Co., Ltd.440-17, Cheongcheon-Dong
Bupyeong-Gu, Incheon 403-030
REPUBLIC OF KOREA**Product: Pressure switches
(GAS Pressure Switch)**

This Attestation of Conformity is issued on a voluntary basis according to the Low Voltage Directive 2006/95/EC relating to electrical equipment designed for use within certain voltage limits. It confirms that the listed equipment complies with the principal protection requirements of the directive. It refers only to the particular sample submitted for testing and certification. See also notes overleaf.

Test report no.: CPSA0129729**Date,** 2009-10-12

CE After preparation of the necessary technical documentation as well as the EC conformity declaration the required CE marking can be affixed on the product. Other relevant directives have to be observed.

Page 1 of 2



Attestation of Conformity
No. N8 09 09 49624 012

Model(s): **SGPS series**
(SGPS 3V, SGPS 10V, SGPS 50V, SGPS 150V, SGPS 500V)

Parameters:

Rated input voltage:	250 V a.c., 5 A(Resistive Load)
Rated frequency:	50/60 Hz or d.c.
Pressure setting:	Adjustable type
Operating pressure range:	0.5 bar(SGPS 3V, SGPS 10V, SGPS 50V, SGPS 150V); 1 bar (SGPS 500V)
Control fluid:	LNG or LPG

Tested according to: EN 60730-1/A14:2005
EN 60730-2-6/A2:1998